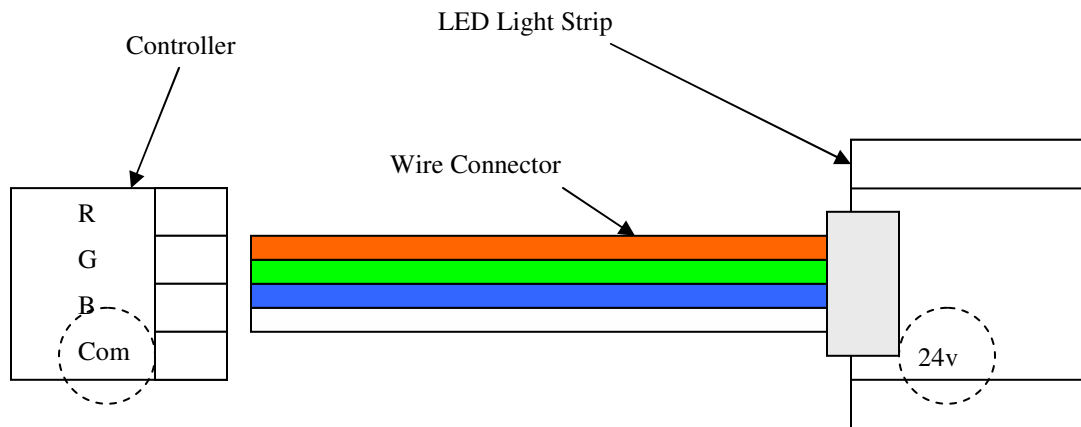


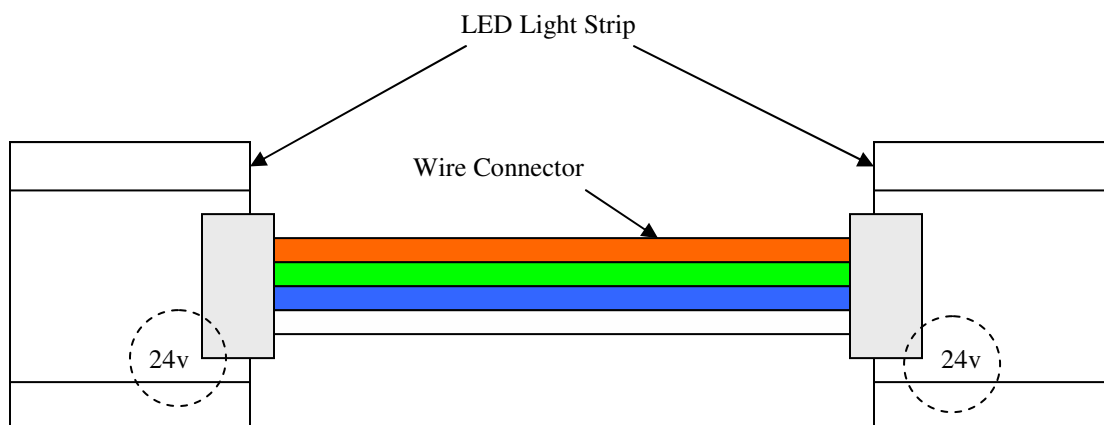
RGB LED Light Strip Connection Guide

1. Controller to Light Strip



Always connect “Com” or “24v” side of the controller connector to the white wire of the extension wire connector and the “24v” side of the light strip connector. Connect red wire to “R”, green wire to “G” and blue wire to “B”.

2. RGB Strip to RGB Strip



Always connect 24v side of the connector with white colour side of the extension wire connector. The 24v side of the connector on a light strip must be connected to the 24v side of another light strip.